

BABB BODY PARTS QUICK REFERENCE GUIDE



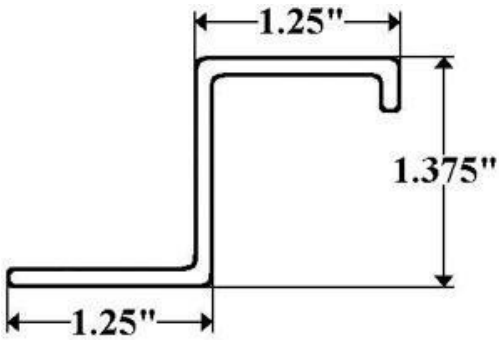
Parts & Service, Inc.

563 Cortlandt Street – Belleville, NJ 07109

(800) 645-4344 – www.fleetpartsonline.com

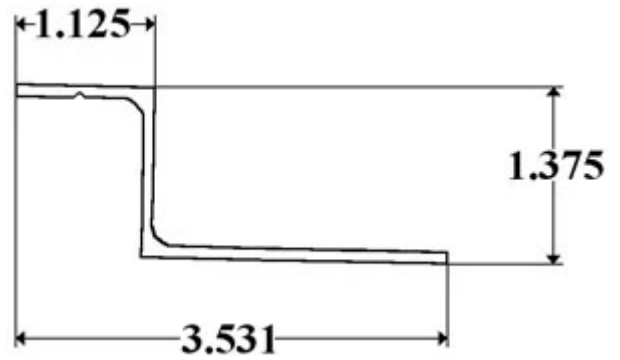
BABB

332-2D, 2E & 2F – Aluminum Z-Post



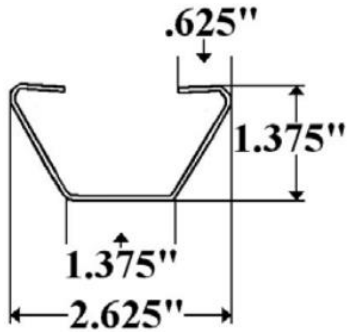
Available in 97", 108" & 112" lengths

333-2 – Starter Roof Bow



108" length

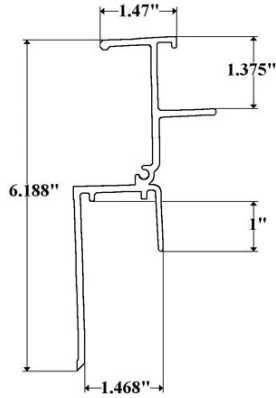
421-1D & 1E – Roof Bow



Available in 92" & 98" lengths

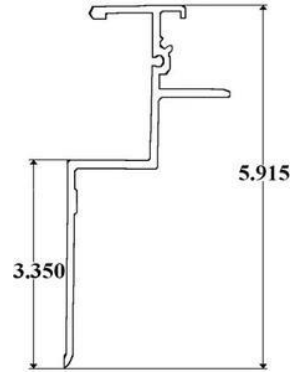
BABB

9001 – Top Rail (Old Style)



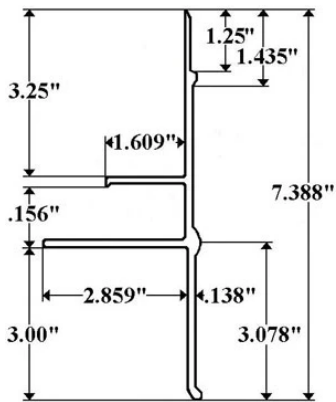
Available in 24', 28' & Per foot lengths

9002 – Top Rail (New Style)



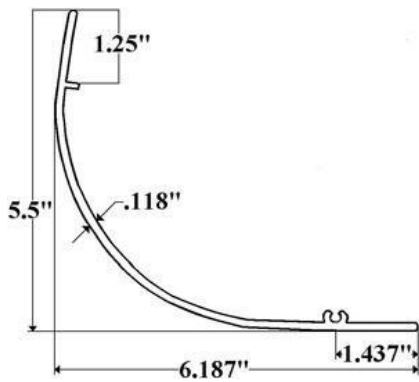
Available in 26', 32' & Per foot lengths

9003 – Bottom Rail (New Style)



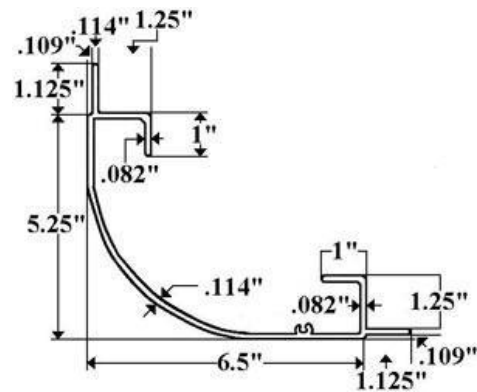
Available in 24', 26', 28' & Per foot lengths

9010FRP – Corner Post (FRP Body)



102" length

9010E – Corner Post (Aluminum Body)



108" length

BABB

FC102 – Front/Bottom Corner Cap



**FP9000L – Left/Front Corner Cap
(Old Style)**



**FP9000R – Right/Front Corner Cap
(Old Style)**



**FP9500L – Left/Front Corner Cap
(New Style)**

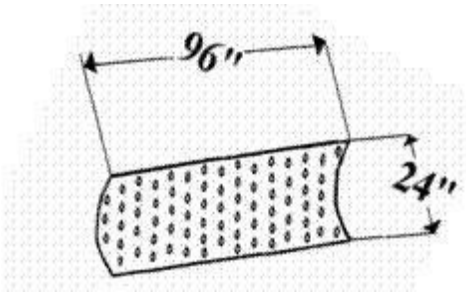


**FP9500R – Right/Front Corner Cap
(New Style)**

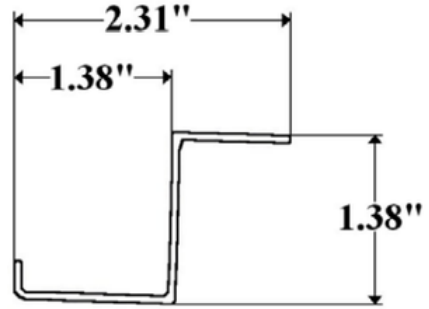


BABB

DPRR2496 – Diamond Plate Roof Radius

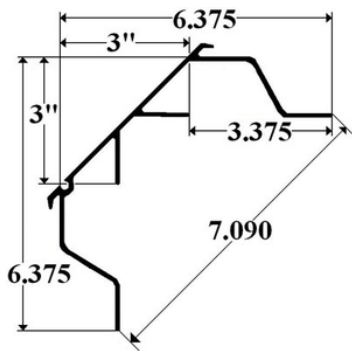


S332-2D & 2E – Steel Z-Post
(New Style)

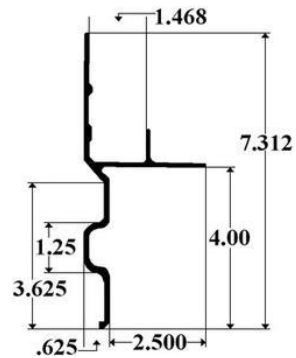


Available in 97" & 108" lengths

TRV1 – Corner Post
(Old Style)



TRVBOT – Bottom Rail
(Old Style)



Available in 32' & Per foot lengths